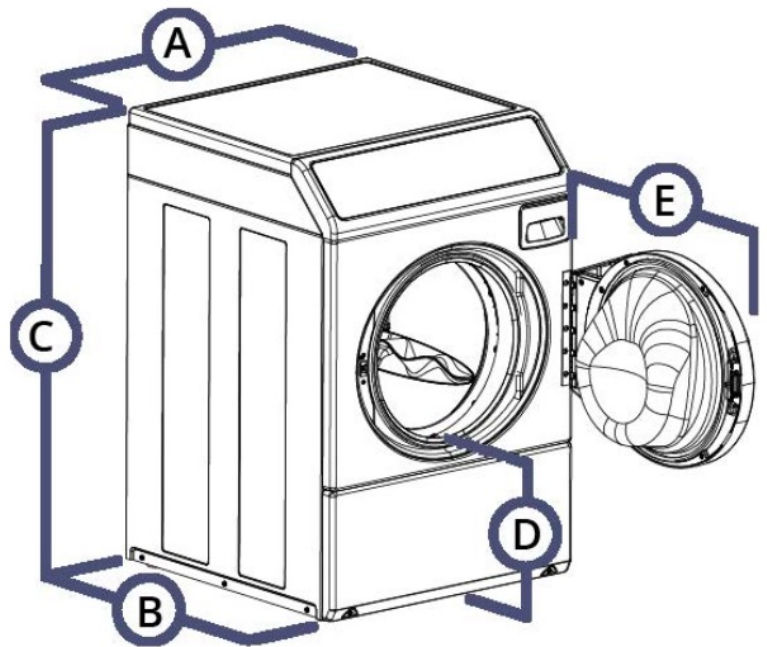


NFNWXASP303LN01 Commercial Front Load Washer



DIMENSIONS (mm)	
A	683
B	797
C	1127
D	333
E	610

NFNWXASP303LN01 Commercial Front Load Washer

DIMENSIONS & SPECIFICATIONS

GENERAL DETAILS		
Control		H7S
Control location		10° Front Control
Actuation		Prep for coin
DRUM		
Capacity	kg	10.5
Volume	l	96,8
DRUM SPEED		
Washing extraction	RPM	400 - 1200
Extraction	RPM	1200
POWER		
Moto power kW		
Voltage	Volt/Hz/Ph	220 - 240/50/1
CABINET		
Cylinder finish		Stainless
Color		Stainless
Door type		Window
CONNECTIONS		
Electrical requirements	Volt/Hz/Ph	220 - 240/50/1
Water inlet		3/4"
Water Pressure kPa		1.4 - 8.3
TRANSPORT DATA		
Net weight	kg	118
Shipping weight	kg	122
Dimensions HxWxD	mm	1127 x 683 x 797
Packed dimensions HxWxD	mm	1131 x 762 x 864
Packed volume	l	744